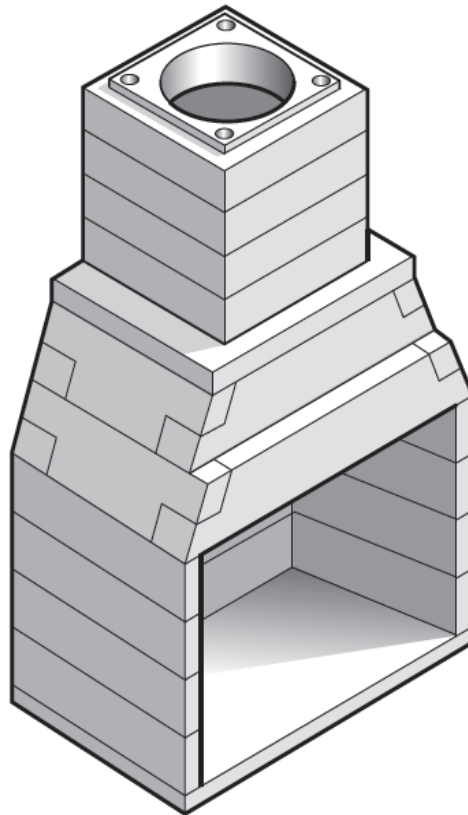




UL – 127 *Outdoor Compliant*

FireRock

ASSEMBLY INSTRUCTIONS FOR OUTDOOR SERIES FIRE BOX 30" - 36" - 42"



36" Fire Rock Outdoor Series Fireplace

PARTS LIST

Summary of parts for the three firebox sizes

	DESCRIPTION	30"	36"	42"	PART
1	Base Plate 38"	1			
2	Base Plate 44"		1		
3	Base Plate 50"			1	
4	Fire Box Sides	6	8	8	
5	Fire Box Back 30"	3			
6	Fire Box Back 36"		4		
7	Fire Box Back 42"			4	
8	Smoke Chamber (38 x 6)	2			
9	Smoke Chamber (44 x 6)		2		
10	Smoke Chamber (50 x 6)			2	
11	Smoke Chamber (Side Large)	2	2	2	
12	Smoke Chamber (32 x 5)	2			
13	Smoke Chamber (38 x 5)		2	2	
14	Smoke Chamber (44 x 5)			2	
15	Smoke Chamber (Side, Small)	2	2	4	
16	Chimney Base (Small)	1			
17	Chimney Base (Large)		1	1	
18	Chimney Block	4	4	6	

Parts numbers are used in the following assembly illustrations



3620 Avenue C, Birmingham, AL 35064

Keep these instructions for future use.

INTENDED PRODUCT USAGE

This product is designed to burn wood, gas, or coal outdoors. This fireplace is not designed to abut or sit directly on combustible materials. This product is not designed to be built into a wood framed structure.

This product is designed to work with the chimney flue included in the package, however additional flue may be added for improved draft characteristics.

It is acceptable to use a properly sized, prefabricated metal chimney that has been tested by a reputable testing facility and found to be UL-103 compliant. The metal chimney manufacturer must offer an adaptor plate for the express purpose of connecting a metal flue to the masonry firebox. This installation must be in complete compliance with the chimney manufacturer's specifications.

"USE SOLID WOOD, PLUMBED PROPANE OR NATURAL GAS FUEL ONLY"

"GAS LOG APPLIANCES USED WITH THIS PRODUCT MUST BE APPROVED FOR OUTDOOR USE"

DO NOT USE A FIREPLACE INSERT OR OTHER PRODUCT NOT SPECIFIED FOR USE WITH A FIREPLACE WITH THE REFLECTIVE PROPERTIES OF THIS FIREPLACE

*****WARNING*****

ANY FIREPLACE INSERT MUST BE APPROVED IN WRITING BY FIRE ROCK PRODUCTS, LLC

FAILURE TO HEED THIS WARNING COULD RESULT IN FAILURE OF THIS PRODUCT AND/OR THE INSERT PRODUCT.

OBTAIN NECESSARY PERMITS FROM AUTHORITIES IN LOCAL JURISDICTION AND COMPLY WITH ALL LOCAL BUILDING CODES

*****WARNING*****

TO AVOID THE RISK OF DAMAGING FIREPLACE MATERIALS AND INCREASING THE RISK OF SPREADING A FIRE, DO NOT USE THE FIREPLACE TO COOK OR WARM FOODS

Framing

This product is designed to be either freestanding or, in the event additional dimension is required built out with concrete masonry units (C.M.U.'s) or metal framing material. There is no airspace or clearance distance to C.M.U.'s or metal framing material required.

Height Chart

	FIREBOX and SMOKE CHAMBER HEIGHT	MINIMUM CHIMNEY HEIGHT	MAXIMUM CHIMNEY HEIGHT	OVERALL MINIMUM HEIGHT	OVERALL MAXIMUM HEIGHT
30"	52 IN	2 FT	12 FT	6 FT 4 IN	16 FT 4 IN
36"	61 IN	2 FT	12 FT	7 FT 3 IN	17 FT 3 IN
42"	70 IN	3 FT	12 FT	8 FT 10 IN	17 FT 10 IN

Chimney Requirements

The chimney included in the fireplace package represents the minimum amount necessary for positive draw characteristics. Due to the conditions surrounding your installation additional chimney may be required to achieve proper drafting. This additional chimney height may be achieved by adding additional chimney blocks from your distributor/dealer or by adding 14" I.D. prefabricated metal chimney.

In the event prefabricated metal chimney is chosen it must be tested and found compliant with UL-103. It must be installed in accordance with the chimney manufacturer's instructions and use all necessary parts specified for use with the listed chimney system.

Chimney termination must be a minimum of 2 feet above any combustible structure within 10 feet of the chimney termination.

*****WARNING*****

THIS PRODUCT HAS NOT BEEN TESTED FOR USE WITH A CHASE. TO REDUCE THE RISK OF FIRE, DO NOT INSTALL A CHASE.

Insulation

This product is not designed to be "packed" by insulation. In the event air spaces exist between this product and C.M.U. or metal framing construction, do NOT fill these voids with an insulating product.

*****WARNING*****

DO NOT PACK AIR SPACES WITH INSULATION OR OTHER MATERIALS

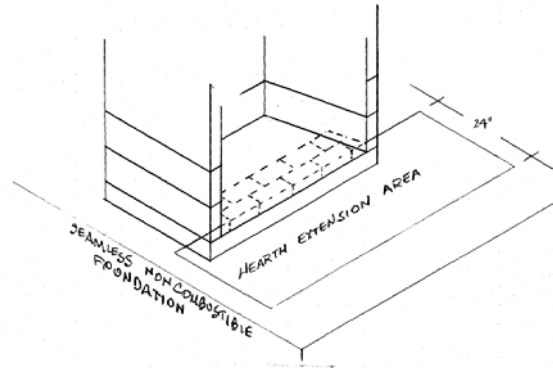
Ventilation

In that the intended use of this product is outdoors, no additional ventilation or air circulation is required.

Hearth Extension

The manufacturer offers no hearth extension product or material for this product. In the event a hearth extension is desired use C.M.U. or metal framing material as specified above under "Framing" above.

At no time should combustible building material be less than 24" in front of the fire chamber. At no time should any portion of a hearth extension be elevated above any portion of the fire chamber.



As pictured above a typical installation has the fireplace kit baseplate at 3 ½ inches plus a firebrick lining with mortar bed at 2 ½ inches for a total of 6 inches of non-combustible build up for a decorative hearth extension veneer. This veneer must be of non-combustible materials. The **HEARTH EXTENSION AREA** must extend a **MINIMUM** of 8" beyond each side of the firebox opening.

Additional Clearances

Clearance from front of fireplace to combustible sidewall is 28".

Mantel Requirements

A decorative mantel may be installed above the opening of this fireplace providing it is a **MAXIMUM** of 10" from the front edge of the mantel to the wall and a **MINIMUM** of 12" above the opening.

Inspection and Maintenance

Please contact a professional chimney sweep at least once each year to inspect and make recommendations regarding the maintenance of your outdoor fireplace. In the event you have added a decorative chimney termination or rain cap to your fireplace please be prepared to inform the chimney sweep as to the best method to perform his inspection/maintenance.

OPERATING INSTRUCTIONS

This section of the manual is to help you get maximum efficiency and maximum smoke (particulate) reduction from your emberlok fireplace. If you should experience any difficulty or have any questions concerning your fireplace, contact your dealer or the manufacturer for assistance.

The manufacturer's recommendation for peak performance and long catalyst life is to burn seasoned hardwood (wood dried 6 – 12 months) and place wood from side to side in the fireplace.

The manufacturer recommends that a log grate be used in your fireplace for maximum performance. The use of andirons is acceptable.

When building a fire in your outdoor fireplace be mindful of the possibility of sparks escaping and igniting combustible surroundings.

DO NOT OVERFIRE

The following steps will serve as a guide for operating your fireplace.

Building a fire without a log lighter:

1. Twist 4-5 pieces of non-colored newspaper in a roll and place on the floor or grate of the firebox.
2. Lay several pieces of kindling on top of the newspaper
3. Place three to four pieces of firewood on top of the kindling
4. Light the newspaper

Building a fire with a log lighter:

1. Lay several pieces of kindling across the log grate or if no log grate is present, place the kindling on the floor of the fireplace.
2. Place three to four pieces of firewood on top of the kindling
3. A key in front of the fireplace or on the hearth controls the gas log lighter. Turn the key on and light the log lighter with a long fireplace match. Once the logs begin to burn well, turn the log lighter off.

IN – FIELD APPLICATION

Broken Components

Components that become broken due to poor handling or shipping should be mortared back together providing the breaks or cracks are clean and original alignment and dimension can be maintained. Components broken into multiple pieces or fragments must be discarded and replaced.

Hints

- a. If this is your first emberlok installation, it would only take a few minutes to “dry stack” (erect without mortar) your firebox to gain a better understanding of how the components fit together. Then disassemble and erect using mortar.
- b. Use a level to assure all components are level and plumb as you erect your fireplace and chimney.
- c. Assure your baseplate is level and at the proper elevation so the finished hearth height (including firebrick lining) is correct.
- d. Realize that this is a TWO man job! Some of the components are too heavy for one man to lift.
- e. **ALWAYS INSTALL ACCORDING TO LOCAL CODES**

Gas Line Applications

The emberlok fireplace may be drilled through with an ordinary masonry drill bit to accommodate a natural gas connection. This natural gas connection may be used to 1) incorporate an automatic shut-off device and/or 2) comply with the Standard for Decorative Gas Appliances for Installation in Vented Fireplaces, **ANSI Z21.60** or **ANSI Z21.11.2**. The decorative gas appliance should be installed in accordance with the National Gas Fuel Code, **ANSI Z223.1**.

Assembly views on the following pages

STEPS FOR ASSEMBLY, 30" OUTDOOR

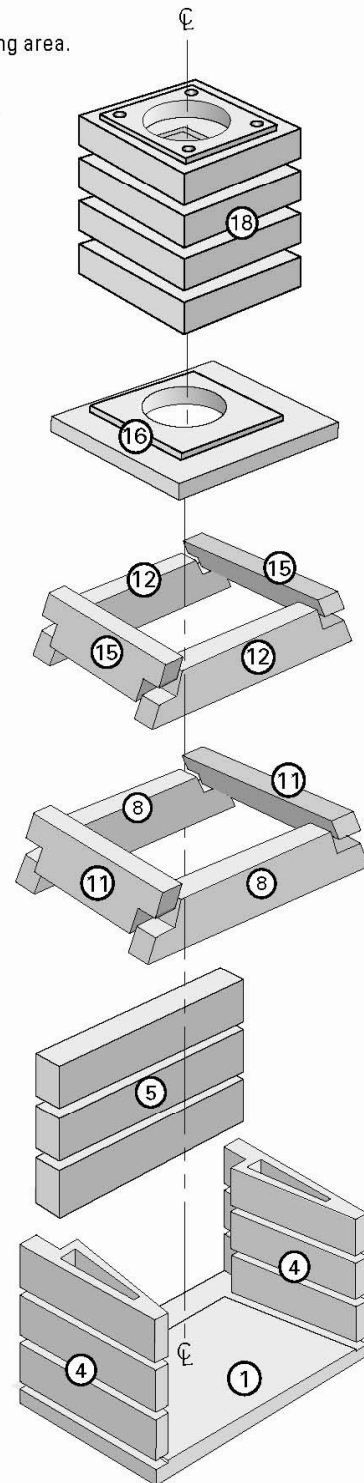
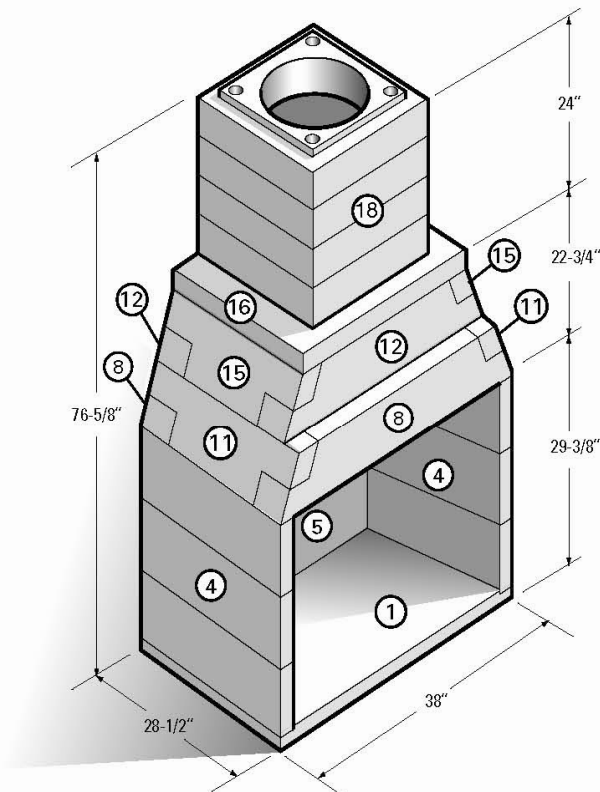
ALL CONTACTING SURFACES REQUIRE FIRE ROCK MORTAR. Follow the mixing instructions on the mortar bag.

(Numbers in parentheses refer to Part numbers on cover page).

- Set the *Base Plate (1)* on a firm, level foundation, square with the intended viewing area.
- Stack the first course of firebox components, side (4) – back (5) – side (4).
- Repeat each course, side (4) – back (5) side (4) until three courses are complete.
- Check for plumb and level construction of firebox.
- Place two *Smoke Chamber 38 x 6's (8)* along the top of the back wall and across the top of the firebox opening.
- Place a *Large Smoke Chamber Side (11)* across each end of the Smoke Chamber 38 x 6's.
- Place two *Smoke Chamber 32 x 5's (12)* as the second course with Small *Smoke Chamber Sides (15)* at each end.
- Set *Small Chimney Base (16)* atop the completed smoke chamber.
- Stack 4 *Chimney Block (18)* on the Chimney Base.
- Line the firebox with firebrick.

NOTE: The completed Fire Rock product may be built out using concrete blocks and may be veneered with any masonry material. Brick ties may be used between components as well.

*** Follow all local building codes ***



STEPS FOR ASSEMBLY, 36" OUTDOOR

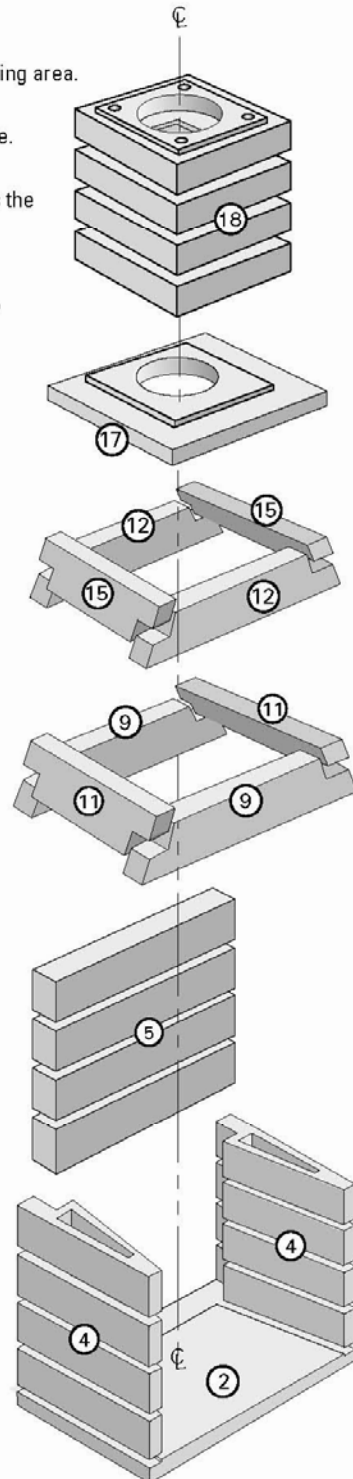
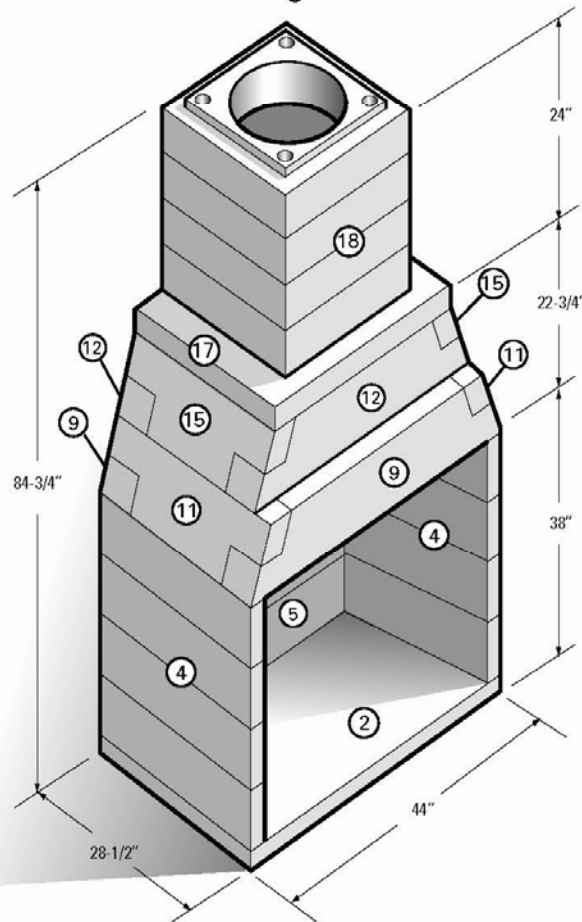
ALL CONTACTING SURFACES REQUIRE FIRE ROCK MORTAR. Follow the mixing instructions on the mortar bag.

(Numbers in parentheses refer to Part numbers on cover page).

- Set the *Base Plate (2)* on a firm, level foundation, square with the intended viewing area.
- Stack the first course of firebox components, side (4) – back (5) side (4).
- Repeat each course, side (4) – back (5) – side (4) until four courses are complete.
- Check for plumb and level construction of firebox.
- Place two *Smoke Chamber 44 x 6's (9)* along the top of the back wall and across the top of the firebox opening.
- Place a *Large Smoke Chamber Side (11)* across each end of the Smoke Chamber 44 x 6's.
- Place two *Smoke Chamber 38 x 5's (12)* as the second course with *Small Smoke Chamber Sides (15)* at each end.
- Set *Large Chimney Base (17)* atop the completed smoke chamber.
- Stack 4 *Chimney Block (18)* on the Chimney Base.
- Line the firebox with firebrick.

NOTE: The completed Fire Rock product may be built out using concrete blocks and may be veneered with any masonry material. Brick ties may be used between components as well.

***** Follow all local building codes *****



STEPS FOR ASSEMBLY, 42" OUTDOOR

ALL CONTACTING SURFACES REQUIRE FIRE ROCK MORTAR. Follow the mixing instructions on the mortar bag.

(Numbers in parentheses refer to Part numbers on cover page).

- Set the *Base Plate (2)* on a firm, level foundation, square with the intended viewing area.
- Stack the first course of firebox components, side (4) – back (5) – side (4).
- Repeat each course, side (4) – back (5) – side (4) until four courses are complete.
- Check for plumb and level construction of firebox.
- Place two *Smoke Chamber 50 x 6's (10)* along the top of the back wall and across the top of the firebox opening.
- Place a *Large Smoke Chamber Side (11)* across each end of the Smoke Chamber 50 x 6's.
- Place two *Smoke Chamber 44 x 5's (14)* as the second course with *Small Smoke Chamber Sides (15)* at each end.
- Set *Large Chimney Base (17)* atop the completed smoke chamber.
- Stack 6 *Chimney Block (18)* on the Chimney Base.
- Line the firebox with firebrick.

NOTE: The completed Fire Rock product may be built out using concrete blocks and may be veneered with any masonry material. Brick ties may be used between components as well.

*** Follow all local building codes ***

